

TRANSVU IP MOBILE NVR

Transportation environments can often prove harsh for electronic equipment, with exposure to repetitive shocks and vibration proving too much for most systems. Specifically designed for public and commercial transport applications and encased in a rugged metal casing, the TransVu IP mobile video recorder and server can withstand this tough environment to provide uninterrupted in-vehicle security surveillance.



Small, light and robust, the TransVu IP is ideal in space restricted situations where the application demands resilience. The TransVu IP digital recorder can provide a long, trouble-free service in high vibration environments, making it one of the most powerful transit surveillance tools available today.

WHY TRANSVU?

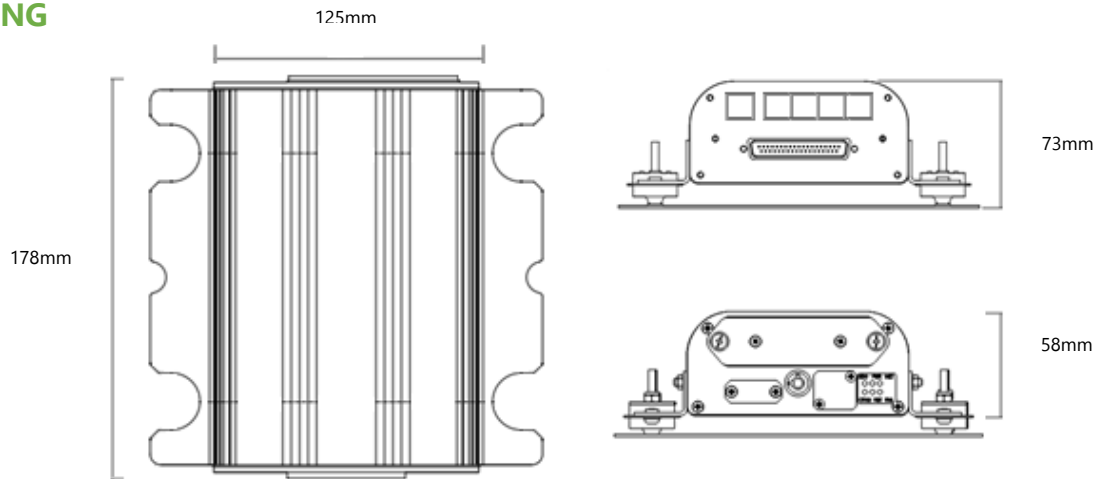
- ✓ Developed specifically for transport applications and high vibration environments typical of road and rail.
- ✓ Ruggedised design with robust housing and aerospace standard anti-vibration mounts.
- ✓ Driven by NetVu Connected core technology to ensure differentiated, scalable and seamless operation.
- ✓ MultiMode™ recording with NetVu cameras reduces storage needs while maintaining very high recording quality, offering initial savings on storage costs and extended Hard Disk Drive life.
- ✓ Power management facility stops the unit recording if low voltage is detected or after a user defined period has elapsed from the vehicle ignition being turned off.
- ✓ Storage on a removable 2.5" HDD.

KEY FEATURES

- Up to 4 IP Camera inputs, can be increased using an additional system extender.
- Three alarm inputs and one audio inputs.
- 3-axis 2g or 8g accelerometer provides g-force measurements of vehicle (optional). This can be associated with camera footage for use in evidential circumstances.
- Low current consumption and portability of the unit makes TransVu IP the ideal choice for specialist mobile applications.
- Video Partition File™ (PAR File) Format with low latency streaming, error correction and time-synchronised playback of multiple images, audio and metadata plus activity-based search of recordings.

Technical Specifications		General Specification	
Camera Inputs	4 IP Cameras (extendable using Network Extender)	Power	Supply Voltage: 12 Volts DC.
Storage	1 x Removable 2.5" HDD as standard, Max.5TB, user defined capacity.	Operating Temperature	Disk Drive (HDD) 5°C to 55°C (41°F to 113°F).
Alarms and relays	3 x Alarm Inputs (EOL tamper detection capability) 1 x Low Current Solid-State Relay Output	Operating Humidity	10% to 85% (non-condensing).
Status LEDs	Power, Network, HDD, Recording, Camera Fault.	Approvals	UKCS & CE marked. Complies with part 15 of FCC CFR47. RoHS Compliant.
Connectivity	1 x RJ45 Ethernet (General IP) 4 x RJ45 Camera LAN ports (non-PoE) 1 x D-type connector providing alarms, audio and vehicle data. 1 x HDMI providing HD Display Monitor output 1 x USB 2.0	Product Dimensions	178mm x 125mm x 73mm (inc. Baseplate)
Compression	H.264	Product Weight	2.5kg (approx. 5.5 lbs)
Audio	1 Audio input 1 Audio output	Warranty	1 year, plus additional 1 year (registration required)

TECHNICAL DRAWING



PART NUMBERING

TransVu IP

TVI/50/0T



ACCESSORIES

Additional HDD caddy
Replacement Mounting Plate

TVI/CDY/0T
TVI/ACC/MPLT

NETVU VIDEO MANAGEMENT SOFTWARE

NetVu Enterprise Observer ENVO

Version 1.6 © Copyright NetVu Limited. 04/01/2023. Design and specification subject to change without notice. E. and O.E.