

SmartVu-Lite 7 Inch 1080p Pan,Tilt,Zoom Camera - Autofocus Lens



SmartVu cameras provide excellent image quality for all levels of applications, allowing scenes to be monitored more effectively, and action to be taken quickly and efficiently. With up to eighteen times optical zoom, and 200 metre range infrared illuminator the SmartVu-Lite 7 Inch PTZ camera is ideal for outdoor video surveillance applications.

WHY SMARTVU?

- ✓ Compliance with the latest Secure by Design guidelines, offering complete immunity from cyber threats.
- ✓ Automatic discovery and channel allocation of SmartVu cameras by Uniplex recorders with automatic firewall and VLAN configuration for better cyber security.
- ✓ MultiMode™ recording; save up to 50% on storage required for recording.
- ✓ Advanced alarm handling with Uniplex NVRs.
- ✓ NetVu Connected Remote Alarm Reporting.
- ✓ Simple configuration and maintenance with the option of Cloud-based support, further reducing whole-life costs of ownership.
- ✓ NetVu PowerScripts™ for quick and easy integration and customised applications.

KEY FEATURES

- 1080p (1920 x 1080) resolution.
- 18x Optical Zoom.
- 5mm to 90mm motorised, varifocal, auto-iris, lens with remote zoom and auto focus capability.
- 200 metre infrared illuminator range for 24 hour operation.
- Point&Go™ PTZ control, Pre-set positioning and patrols supported
- Activity Detection and Video Motion Detection (VMD) supported.
- Activity-based video search, when used with Enterprise Observer™ software.
- Power over Ethernet (PoE) or 12V DC power supply for flexible installation.
- IP66 Environmental rating for outdoor applications.
- Mounting bracket included as standard.



Thellow Heath Park, Northwich Road, Northwich, Cheshire, CW9 6JB

T: +44 (0) 1928 706 400 E: info@netvu.org.uk www.netvu.org.uk

Technical Specification	
Image Sensors	1/2.8" 2MP Sony 307 Sensor.
Active Pixels	1920 (H) x 1080 (V)
Effective Pixels	1920 x 1080p.
AGC	Automatic and Manual
Day / Night Operation	Automatic. True Day / Night with IR Cut Filter
WDR	> 80dB.
Signal to Noise Ratio	> 50dB.
Minimum Illumination	Colour Mode 0.05 Lux (F1.2, AGN on). B&W Mode 0.0 Lux (IR on)
Electronic Shutter	Auto or User selectable (1/25 th s to 1/10,000 th s). 50 or 60Hz. Software Selectable.
Light Compensation	BLC / HLC.
Compression	H.264 JPEG/MPEG4 compatible (Up to 2 simultaneous streaming formats).
IR Distance	200m (660').
Interface	One 10M / 100M Self-Adaption Ethernet Port, RJ-45.
Lens Operation	Motorised Autofocus
Focal Length	5 to 90mm. 18x Motorized Zoom

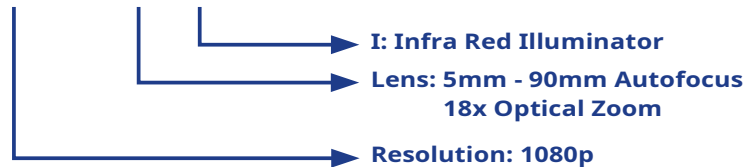
Alarm Reporting	NetVu Connected Remote Alarm Reporting. SNMP Remote Alarm Reporting.
Analytics	VMD and Activity Detection integrated with Activity Search. Additional Analytics including ALPR via near side servers.
Network Protocols	NetVu Connected Advanced Streaming, NetVu Connected Remote Codec, HTTP/HTTPS, TCP/IP, UDP/IP, RTSP/RTP Unicast and Multicast, Telnet/SSH, FTP, PoE, NTP, SNMP, Zeroconf, ModBus, AoE.

General Specifications and Warranty	
Power	Requires 12V DC Input / PoE Class 3. injector (Not Supplied)
IP Rating	IP66.
Operating Temperature	-10°C to 60°C (14°F to 140°F).
Operating Humidity	0% to 95% (Non-condensing).
Approvals	UKCA and CE marked. Complies with part 15 of FCC CFR47. RoHS Compliant.
Product Dimensions	330mm x 390mm x 208
Product Weight	2.5 kg
Warranty	1 year, plus additional 1 year (registration required).

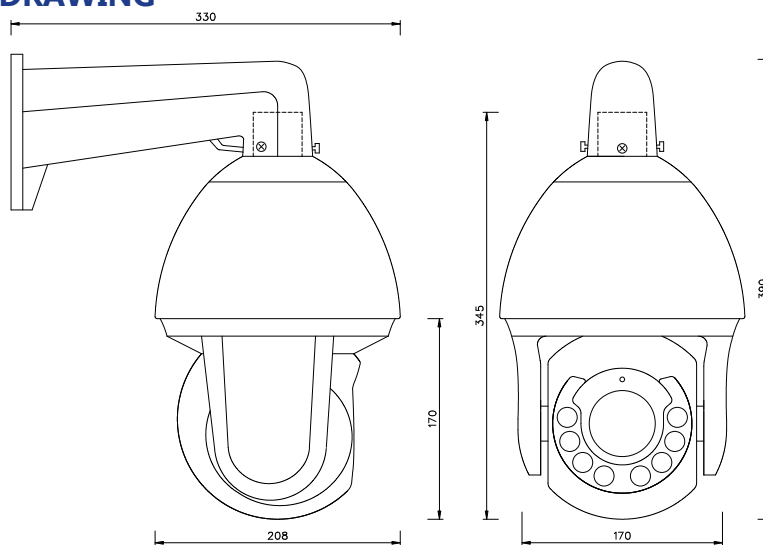
PART NUMBERING

SmartVu-Lite 7 Inch 1080p PTZ – Autofocus Lens

SL-SD7/1080/18/I



TECHNICAL DRAWING



Version 1.1 © Copyright NetVu Limited. 25/01/2023. Design and specification subject to change without notice. E. and O.E.



Thellow Heath Park, Northwich Road, Northwich, Cheshire, CW9 6JB
 T: +44 (0) 1928 706 400 E: info@netvu.org.uk www.netvu.org.uk

