

SmartVu-Lite 1080p Small Bullet Camera – Varifocal Lens.



SmartVu cameras provide excellent image quality for all levels of applications, allowing scenes to be monitored more effectively, and action to be taken quickly and efficiently. The SmartVu-Lite Integrated Bullet Camera is fully-featured so that it can be used to solve many different problems whilst still providing a cost-effective video surveillance solution.

WHY SMARTVU?

- ✓ Compliance with the latest Secure by Design guidelines, offering complete immunity from cyber threats.
- ✓ Connect SmartVu cameras over Co-axial or Ethernet cables, offering a lower cost to upgrade legacy analogue video surveillance systems to high definition IP.
- ✓ Automatic discovery and channel allocation of SmartVu cameras by Uniplex recorders with automatic firewall and VLAN configuration for better cyber security.
- ✓ MultiMode™ recording; save up to 50% on storage required for recording.
- ✓ Advanced alarm handling with Uniplex NVRs.
- ✓ NetVu Connected Remote Alarm Reporting.
- ✓ Simple configuration and maintenance with the option of Cloud-based support, further reducing whole-life costs of ownership.
- ✓ NetVu PowerScripts™ for quick and easy integration and customised applications.

KEY FEATURES

- 1920 x 1080p HD resolution.
- 2.8mm to 12mm manual varifocal lens
- Activity Detection, Video Motion Detection (VMD) and privacy masking supported.
- Activity-based video search, when used with Enterprise Observer™ software.
- Power Over Ethernet (PoE) or 12V DC power supply for flexible installation.
- 25 metres (82 feet) range integral infrared illuminator for 24-hour operation both indoors and outdoors.
- Dual video stream capability.
- Maximum frame rate per stream 15 images per second.
- IP66 Environmental rating for outdoor applications.



Thellow Heath Park, Northwich Road, Northwich, Cheshire, CW9 6JB

T: +44 (0) 1928 706 400 E: info@netvu.org.uk www.netvu.org.uk

Technical Specification	
Image Sensors	1/3" 1080p CMOS sensor
Active Pixels	1920 (H) x 1080 (V).
Effective Pixels	1920 x 1080p.
Video AGC	Automatic and Manual
Day / Night Operation	Automatic. True Day / Night with IR Cut Filter
WDR	> 80dB.
Signal to Noise Ratio	> 50dB.
Minimum Illumination	Colour Mode 0.1 Lux B&W Mode 0.0 Lux (IR on)
Electronic Shutter	Auto or User selectable (1/25 th s to 1/100,000 th s). 50 or 60Hz. Software Selectable.
Light Compensation	BLC / HLC.
Compression	H.264 JPEG/MPEG4 compatible (Up to 2 simultaneous streaming formats).
IR Distance	25m (82').
Interface	One 10M / 100M Self-Adaption Ethernet Port, RJ-45.
Lens Operation	Varifocal
Focal Length	2.8mm to 12mm.

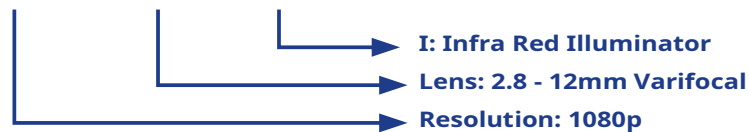
Alarm Reporting	NetVu Connected Remote Alarm Reporting. SNMP Remote Alarm Reporting.
Analytics	VMD and Activity Detection integrated with Activity Search. Additional Analytics including ALPR via near side servers.
Network Protocols	NetVu Connected Advanced Streaming, NetVu Connected Remote Codec, HTTP/HTTPS, TCP/IP, UDP/IP, RTSP/RTP Unicast and Multicast, Telnet/SSH, FTP, PoE, NTP, SNMP, Zeroconf, ModBus, AoE.

General Specifications and Warranty	
Power	12V DC Terminal Input / PoE Class 3. 8W max (IR on)
IP Rating	IP66.
Operating Temperature	-20°C to 60°C (-4°F to 140°F).
Operating Humidity	0% to 90% (Non-condensing).
Approvals	UKCA and CE marked. Complies with part 15 of FCC CFR47. RoHS Compliant.
Product Dimensions	Camera: 219mm x 76mm. Junction Box: 133mm x 65.4mm
Product Weight	0.55 kg.
Warranty	1 year, plus additional 1 year (registration required).

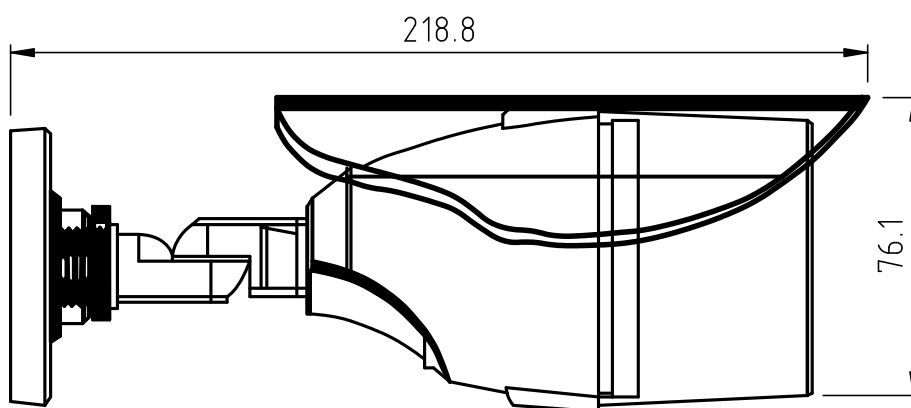
PART NUMBERING

SmartVu-Lite 1080p Small Bullet Camera – Varifocal Lens

SL-SB/1080/3V12/I



TECHNICAL DRAWING



MOUNTING BRACKET OPTIONS

SmartVu Lite Small Bullet Junction Box Base

SL-SB/ACC/RJB



Version 1.7 © Copyright NetVu Limited. 17/03/2022. Design and specification subject to change without notice. E. and O.E.



Thellow Heath Park, Northwich Road, Northwich, Cheshire, CW9 6JB

T: +44 (0) 1928 706 400 E: info@netvu.org.uk www.netvu.org.uk

