

## SmartVu 5MP Pan, Tilt, Zoom Camera – Autofocus Lens



SmartVu cameras provide excellent image quality for all levels of applications, allowing scenes to be monitored more effectively, and action to be taken quickly and efficiently. With twenty times optical zoom, plus digital zoom to give effective thirty times, and 120 metre range infrared illuminator the SmartVu PTZ camera is ideal for outdoor video surveillance applications.

### WHY SMARTVU?

- ✓ Compliance with the latest Secure by Design guidelines, offering complete immunity from cyber threats.
- ✓ Automatic discovery and channel allocation of SmartVu cameras by Uniplex recorders with automatic firewall and VLAN configuration for better cyber security.
- ✓ MultiMode™ recording; save up to 50% on storage required for recording.
- ✓ Advanced alarm handling with Uniplex NVRs.
- ✓ NetVu Connected Remote Alarm Reporting.
- ✓ Simple configuration and maintenance with the option of Cloud-based support, further reducing whole-life costs of ownership.
- ✓ NetVu PowerScripts™ for quick and easy integration and customised applications.

### KEY FEATURES

- 5MP (2592 x 1944) resolution.
- 20x Optical Zoom, with Digital Zoom to 30x.
- 4.7mm to 94mm motorised, varifocal, auto-iris, lens with remote zoom and auto focus capability.
- 120 metre infrared illuminator range for 24 hour operation.
- Point&Go™ PTZ control, Pre-set positioning and patrols supported
- Activity Detection and Video Motion Detection (VMD) supported.
- Activity-based video search, when used with Enterprise Observer™ software.
- 24V AC power supply for flexible installation.
- Local alarm input.
- IP66 Environmental rating for outdoor applications.



Thellow Heath Park, Northwich Road, Northwich, Cheshire, CW9 6JB

T: +44 (0) 1928 706 400 E: [info@netvu.org.uk](mailto:info@netvu.org.uk) [www.netvu.org.uk](http://www.netvu.org.uk)

### Technical Specification

Image Sensors	1/2.8" 5MP IMX335 Sensor.
Active Pixels	2592 (H) x 1944 (V).
Effective Pixels	2592 x 1944p.
AGC	Automatic and Manual
Day / Night Operation	Automatic. True Day / Night with IR Cut Filter
WDR	> 80dB.
Signal to Noise Ratio	> 50dB.
Minimum Illumination	0.001 Lux (F1.2, AGN on).
Electronic Shutter	Auto or User selectable (1/5 <sup>th</sup> s to 1/50,000 <sup>th</sup> s). 50 or 60Hz. Software Selectable.
Light Compensation	BLC / HLC.
Compression	H.264 JPEG/MPEG4 compatible (Up to 5 simultaneous streaming formats).
IR Distance	120m (393').
Interface	One 10M / 100M Self-Adaption Ethernet Port, RJ-45.
Lens Operation	Motorised Autofocus
Focal Length	4.7 to 94mm. 20x Motorized Zoom
Alarm Reporting	NetVu Connected Remote Alarm Reporting.

	SNMP Remote Alarm Reporting.
Analytics	VMD and Activity Detection integrated with Activity Search. Additional Analytics including ALPR via near side servers.
Network Protocols	NetVu Connected Advanced Streaming, NetVu Connected Remote Codec, HTTP/HTTPS, TCP/IP, UDP/IP, RTSP/RTP Unicast and Multicast, Telnet/SSH, FTP, PoE, NTP, SNMP, Zeroconf, ModBus, AoE.

### General Specifications and Warranty

Power	24V AC Terminal Input. 72W.
IP Rating	IP66.
Operating Temperature	-20°C to 60°C (-4°F to 140°F).
Operating Humidity	0% to 90% (Non-condensing).
Approvals	UKCA and CE marked. Complies with part 15 of FCC CFR47. RoHS Compliant.
Product Dimensions	196mm x 236mm
Product Weight	6 kg
<b>Warranty</b>	1 year, plus additional 1 year (registration required).

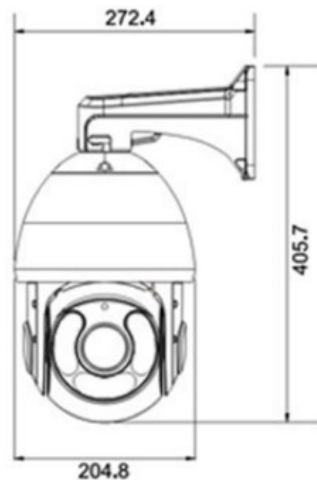
## PART NUMBERING

SmartVu 5MP PTZ – Autofocus Lens

# SV-SD8/5000/30/I



## TECHNICAL DRAWING



## MOUNTING BRACKET OPTIONS

Please contact us for information about alternate mounting options.

Version 1.7 © Copyright NetVu Limited. 15/07/2022. Design and specification subject to change without notice. E. and O.E.



Thellow Heath Park, Northwich Road, Northwich, Cheshire, CW9 6JB  
 T: +44 (0) 1928 706 400 E: info@netvu.org.uk [www.netvu.org.uk](http://www.netvu.org.uk)

