

SmartVu 5MP Integrated Bullet Camera, Autofocus Lens, Starvis Sensor, Audio Capability, Inc. Junction Box



SmartVu cameras provide excellent image quality for all levels of applications, allowing scenes to be monitored more effectively, and action to be taken quickly and efficiently.

The high resolution of the SmartVu 5MP Integrated Bullet camera is ideal for applications where identification is required.

WHY SMARTVU?

- ✓ Compliance with the latest Secure by Design guidelines, offering complete immunity from cyber threats.
- ✓ Automatic discovery and channel allocation of SmartVu cameras by Uniplex recorders with automatic firewall and VLAN configuration for better cyber security.
- ✓ MultiMode™ recording; save up to 50% on storage required for recording.
- ✓ Advanced alarm handling with Uniplex NVRs.
- ✓ NetVu Connected Remote Alarm Reporting.
- ✓ Simple configuration and maintenance with the option of Cloud-based support, further reducing whole-life costs of ownership.
- ✓ NetVu PowerScripts™ for quick and easy integration and customised applications.

KEY FEATURES

- 5MP (2592 x 1944) resolution.
- Sony Starvis sensor
- 2.7mm to 13.5mm motorised, varifocal, auto-iris, lens with remote zoom and auto focus capability.
- Activity Detection and Video Motion Detection (VMD) supported.
- Activity-based video search, when used with Enterprise Observer™ software.
- Audio Capability for systems integration (microphone not included).
- Power Over Ethernet (PoE) or 12V DC power supply for flexible installation.
- Junction box included as standard.
- 25 metres (82 feet) range integral infrared illuminator for 24-hour operation both indoors and outdoors.
- IP66 Environmental rating for outdoor applications.



Thellow Heath Park, Northwich Road, Northwich, Cheshire, CW9 6JB

T: +44 (0) 1928 706 400 E: info@netvu.org.uk www.netvu.org.uk

Technical Specification	
Image Sensors	1/3" 5MP Sony 335 sensor
Active Pixels	2592 (H) x 1944 (V).
Effective Pixels	2592 x 1944p.
Video AGC	Automatic and Manual
Day / Night Operation	Automatic. True Day / Night with IR Cut Filter
WDR	> 80dB.
Signal to Noise Ratio	> 50dB.
Minimum Illumination	Colour Mode 0.05 Lux (F1.2, AGC on) B&W Mode 0.0 Lux (F1.2, IR on)
Electronic Shutter	Auto or User selectable (1/25 th s to 1/100,000 th s). 50 or 60Hz. Software Selectable.
Light Compensation	BLC / HLC.
Audio Gain Control	Fixed, User Selectable.
Compression	H.264 JPEG/MPEG4 compatible (Up to 5 simultaneous streaming formats).
IR Distance	25m (82').
Interface	One 10M / 100M Self-Adaption Ethernet Port, RJ-45.
Lens Operation	Motorised Autofocus

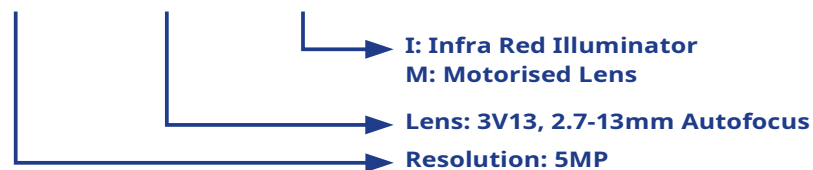
Focal Length	2.7 to 13mm.
Alarm Reporting	NetVu Connected Remote Alarm Reporting. SNMP Remote Alarm Reporting.
Analytics	VMD and Activity Detection integrated with Activity Search. Additional Analytics including ALPR via near side servers.
Network Protocols	NetVu Connected Advanced Streaming, NetVu Connected Remote Codec, HTTP/HTTPS, TCP/IP, UDP/IP, RTSP/RTP Unicast and Multicast, Telnet/SSH, FTP, PoE, NTP, SNMP, Zeroconf, ModBus, AoE.

General Specifications and Warranty	
Power	12V DC Terminal Input / PoE Class 3. 15W.
IP Rating	IP66.
Operating Temperature	-20°C to 60°C (-4°F to 140°F).
Operating Humidity	0% to 90% (Non-condensing).
Approvals	UKCA and CE marked. Complies with part 15 of FCC CFR47. RoHS Compliant.
Product Dimensions	306.5mm x 108mm x 96 mm
Product Weight	0.85 kg.
Warranty	1 year, plus additional 1 year (registration required).

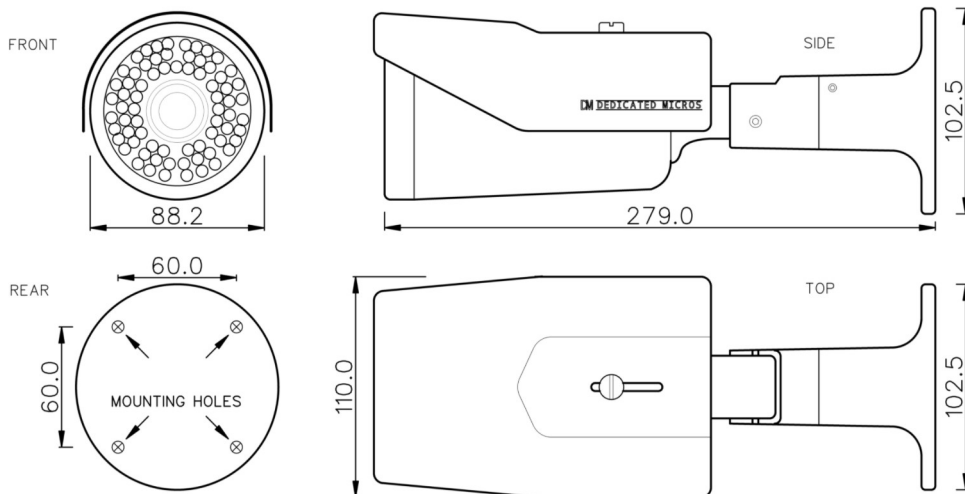
PART NUMBERING

SmartVu 5MP Integrated Bullet - Autofocus Lens, Starvis Sensor

SV-IB/5000/3V13/IM



TECHNICAL DRAWING



MOUNTING BRACKET OPTIONS

SmartVu Integrated Bullet Junction Box Base (included as standard)

SV-IB/ACC/RJB



Version 1.6 © Copyright NetVu Limited. 07/03/2022. Design and specification subject to change without notice. E. and O.E.



Thellow Heath Park, Northwich Road, Northwich, Cheshire, CW9 6JB

T: +44 (0) 1928 706 400 E: info@netvu.org.uk www.netvu.org.uk