



SmartVu

1.3 Megapixel Large Bullet With Varifocal Lens/IR

Part of Dedicated Micros HD IP video surveillance cameras, the updated SmartVu 2015 range features the large bullet camera with 1/3" 1.3MP Aptina CMOS AR0130 sensor, varifocal lens and 100m IR distance.

Ideal for designing a cost effective HD solution combined with ease of install when coupled with any NetVu connected product, the SmartVu cameras are perfectly complimented by DM's latest, enhanced SD Advanced DVR/NVR portfolio. When configured with the SD Advanced NVR the SmartVu series contains a powerful suite of enterprise-scale capabilities protected by DM's award winning Closed IPTV.

Coming in all models bar the box camera, the updated SmartVu range offer the benefit of having remote focus capability. This mitigates the need for camera head focusing, saving both time and cost while, ensuring the highest quality IP installation.



Features & Benefits

1280x720p HD Resolution

6-22mm Motorized Varifocal Lens

Remote Focus Capable

MPEG4 / JPEG / H.264 Compression

Closed IPTV – Via Switch

MultiMode – Save Up To 50% On Recording

Power Over Ethernet

Alarm Handling (With SD Advance DVR/NVR)

100m IR Range (30 pcs)

IP66 Rated

True Day/ Night With ICR Filter

Video Motion Detection (VMD)

Ordering Information

| Part Number | Description |
|-------------------|-------------------------------------|
| SV-LB/720/6V22/IM | SmartVu Large Bullet 720 100m IR AF |

Dedicated Micros Technology Benefits

NetVu Remote Codec

When utilised with a NetVu connected server each camera can work as a remote codec. This is the most efficient means of connection to a DM Closed IPTV server as rather than simply request a stream from the IP camera, and then recode the stream as necessary the remote codec format makes individual requests for streams of frames directly from the codec in the camera.

Using this process the camera becomes an integral extension to the DVR/NVR distributing the processing requirements allowing a greater number of cameras to be connected and managed from one unit as stream communication becomes more efficient, reducing potential bottlenecks.

Ease Of Installation

Dedicated Micros technology removes the need for prior IT networking knowledge facilitating ease of install while ensuring the highest quality IP solution.

The updated SmartVu range offer remote zoom and auto focus meaning convenient focusing of the cameras is possible over the network, eliminating the need for physical fine tuning at each camera.

Port specific auto detect and auto configure cameras using Closed IPTV

A shared user interface helps minimise operator training whilst powerful features such as direct configuration of PTZ cameras and domes from connected DVR/NVRs helps reduce installation time providing benefits to both end user and installer/integrator.

Customisable

PowerScripting enables user customisation of complex, logical, alarm handling routines and integration of data from external sources. Extra value is created for the user through integration with business processes e.g. access control, building management, process control and manpower management. The result is a measurable return on investment tied in with operational process such as retail loss prevention.

MultiMode Recording And Streaming

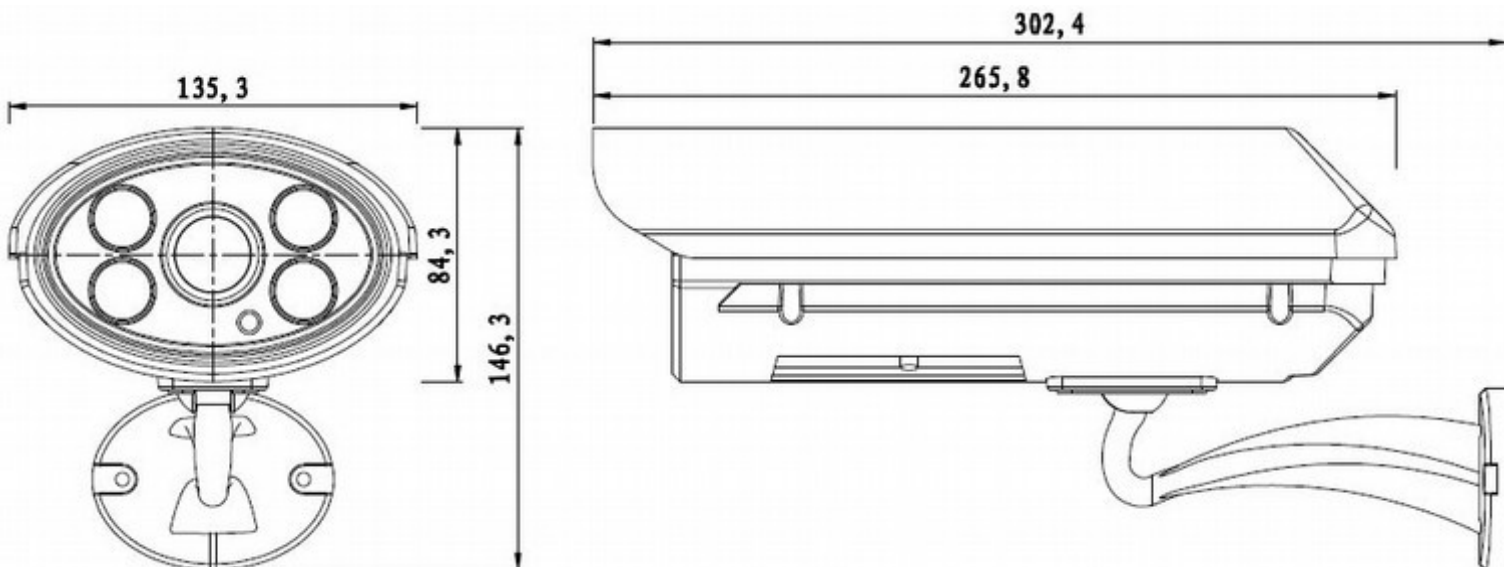
Allows an event trigger from VMD, analytics and alarms to affect an instantaneous change in bit rate, frame rate and resolution. Full HD streams are generated when needed, e.g. for identification purposes, otherwise a standard definition stream saves up to 50% of the user's storage capacity.

Closed IPTV

All DM products are underpinned by the Closed IPTV technology. This encompasses a number of features to ensure security is at the forefront of the solution.

- Trusted Endpoints (a unique secret signature that is shared with the switch and the NVR) ensure any attempt to interfere with the Closed IPTV network will trigger an immediate security alert.
- Removing access to the corporate network via an exposed endpoint (e.g. a camera)
- Restrict Multicast – No one network endpoint can gain access to video from any other cameras or endpoints on the network.
- Firewall settings – Prevents any endpoint from opening a connection to a TCP server on the network

Technical Drawing



Technical Specification

| Camera Specification | |
|------------------------|--|
| Image Sensor | 1/3" 1.3 Megapixel HD Progressive Scanning CMOS AR0130 |
| Effective Pixels | 1280x720p |
| AGC | Auto / Manual |
| Day/Night control | Auto |
| Day / Night | True Day / Night With ICR Filter |
| S/N Ratio | >50dB |
| Min. Illumination | Colour mode 0.01UX(F1.2); B/W mode 0.001LUX(F1.2) |
| Compression | MPEG4, H.264, JPEG (Up To 10 Different Streaming Profiles) |
| IR Distance | 100m |
| Interface | One 10M/100M Self Adaption Ethernet Port, RJ-45 |
| Protocol | TCP/IP, HTTP, ICMP, SMTP, RTP, RTSP, SNMP, ARP, DDNS, DNS, POE, P2P,802, SCTP, NTP |
| Lens | |
| Focal Length | 6-22mm |
| Lens | C/CS Motorised Varifocal |
| Image Format | 1/3" |
| Focus | Auto Focus |
| Zoom | 4x Optical Zoom |
| General Specifications | |
| Audio | N/A |
| Power | 12V DC Terminal Input / PoE Class 3 15W |
| Rating | IP66 |
| Electronic Shutter | Auto / User 1/5 - 1/50,000 ; 50/60Hz Software Selectable |
| Gain Control | Auto / Fixed 8~102dB |
| Light Compensation | BLC /HLC |
| Network Protocols: | HTTP, TCP/IP, UDP/IP, RTSP, FTP, PoE, NTP. Unicast And Multicast Supported. |
| Operating Temperature | Operating: -20°C To 60°C / Storage: -20°C To 60°C |
| Operating Humidity | 0~90%RH (Non-Condensing) |
| Approvals | CE / FCC / RoHS Compliant / IP66 |
| Product Dimensions | 265.8 x 135.3 x 84.3mm |
| Product Weight | 1.07KG |
| Warranty | 1 year plus additional free 1 year when product registered |



v1.1 17.07.17 © Copyright NetVu Ltd

Design and specifications are subject to change without notice E&O.E

UK & EMEA: NetVu Limited. www.NetVu.org.uk
No 1. Thellow Heath Park, Northwich Road, Antrobus Cheshire, CW96JB

USA: Dedicated Micros Inc. www.dedicatedmicros.com
3855 Centerview Dr. – Suite 400 B, Chantilly, VA 20151 USA.

NetVu

 DEDICATED MICROS