



Ice²

1.3 HD Analogue Medium Bullet Camera

Part of Dedicated Micros new line of high performance HD analogue video surveillance cameras, the Ice2 1.3MP medium bullet camera features the Sony IMX225, D-WDR enabled sensor, 6mm fixed lens with 50m IR producing either standard definition, or HD 720p video.

The Ice2 cameras are as simple to install as standard analogue cameras, with no networking or licensing requirements, capable of rapidly transmitting quality HD video up to 500m over standard coaxial cables with next to zero latency on the local system.

Ideal for legacy upgrades, the Ice2 cameras are capable of utilising existing analogue cabling to simplify the process of transferring from standard definition to high definition video recording at a fraction of the cost of a comparable mega-pixel IP solution.

Ice2 is designed to be coupled with the enhanced SD Advanced DVR/NVR which now has HD analogue support on models of 6TB and above.



Features & Benefits

1.3 Megapixel Sony IMX225 Sensor

D-WDR

Utilise Existing Legacy Cabling

6mm Fixed Lens

IP66 Rated

Up The Coax On Screen Menu Control

Live Tracking Due To Speed Of Transmission

MultiMode – Save Up To 50% On Recording

TransCode – Optimised Remote Playback

720p HD Video Over Coax

Up To 500m Coax Cable Length

50M IR Distance

Transmit Images Up To 500m

Video Motion Detection (VMD)

Alarm Handling (With SD Advanced DVR/NVR)

Auto Gain Control

Why HD Analogue?

Megapixel Resolution

HD Analogue delivers cost effective high definition images for applications requiring a greater level of detail, such as for identification purposes.

Low cost, simple installation

HD Analogue is as simple to install as standard analogue CCTV, with no networking or licensing requirements. Existing cabling can be utilised.

Low latency

Transmission of HD Analogue video is fast, which enables live tracking with next to zero latency on the local system

Up-the-coax Control

The Ice2 cameras offer up the coax (UTC) control of the cameras menu, this allows for complete configuration of the camera from the DVR, without need to go back and physically access the unit. A variety of options can be changed from the DVR including:

- Exposure
- Digital WDR
- White Balance
- Day/Night Control

Longer Transmission

Transmit HD video up to 500m over standard coaxial cable without signal boosters, five times the distance of IP systems which are run on standard network cabling.

Legacy Upgrades

HD Analogue is ideal for upgrading legacy sites. High Definition 720p images can be achieved whilst maintaining the current cabling infrastructure, drastically reducing installation time and costs.

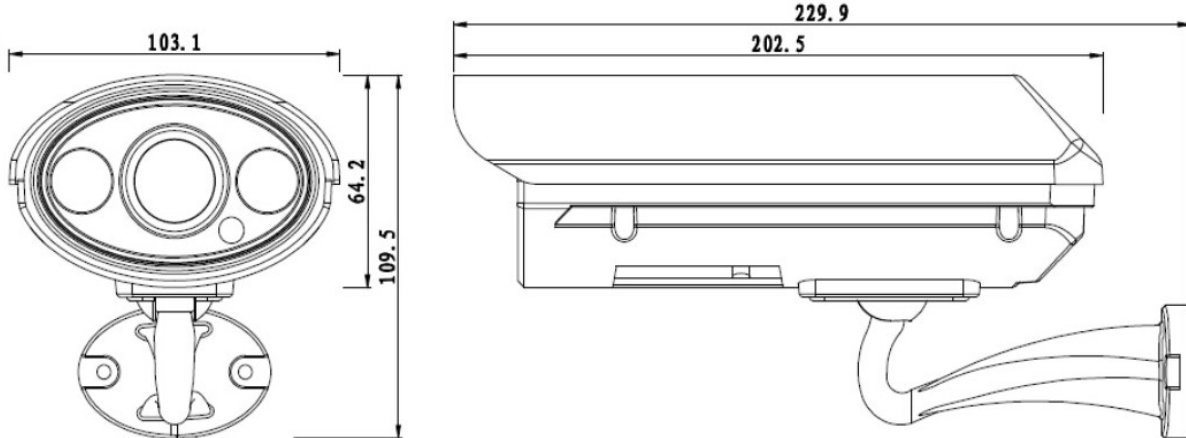
Cost Effective

HD Analogue technology is competitively priced vs. less-powerful traditional analogue, while being a fraction of the cost of a comparable megapixel solution.

Dedicated Micros Support

When buying a HD Analogue system from Dedicated Micros you gain access to high quality product support. From the service centre to technical support team, there is a single point of contact to ensure an outstanding user experience

Technical Drawing



Ordering Information

Part Number	Description
ICE2-MB/720/3M6/I	HD 720p and standard analogue Medium Bullet 50m IR

UK & EMEA: NetVu Limited. www.NetVu.org.uk
No 1. Thellow Heath Park, Northwich Road, Antrobus Cheshire, CW96JB

USA: Dedicated Micros Inc. www.dedicatedmicros.com
3855 Centerview Dr. – Suite 400 B, Chantilly, VA 20151 USA.

NetVu

DEDICATED MICROS

Technical Specification

Camera Specification	
Image Device	1/3" Sony IMX225 1.3MP
Image Resolution	720p (1280x720) / 960H (960x480)
Minimum Illumination	Colour: 0.001 Lux / F2.0: B/W: 0 Lux / F2.0 (IR on)
Video Output Mode	High Definition Analogue 720p / CVBS 700TVL
TV System	PAL / NTSC
S/N ratio	≥ 48 dB
Gamma	0.45
Synchronisation System	Internal
Scanning System	2:1 Interlace
Lens	6mm (fixed)
Camera Set Up	
Wide Dynamic Range	D-WDR Auto / off / on
Electronic Shutter	PAL:1/25 ~ 1/50,000sec; NTSC:1/30 ~ 1/50,000sec ; Auto / FLK / Manual Max X 30
AGC	0-15
Brightness	1~100
Defog	Auto: On / Off
Back-light Mode	Off / BLC / HSBLC
White Balance	AWB / AWC → SET / Indoor Mode / Outdoor Mode / Manual Mode
Noise Reduction	2D / 3D-Low/Middle/High
Picture Adjustment	Mirror / Negative Film / Sharpness / Brightness / Freeze
Motion Detection	4 Zones / Alarm
Privacy	4 Zones
Day & Night	Auto / Colour / B/W / EXT
Defective Point Compensation	Live DPC / White DPC / Black DPC-ON/OFF
Language	ENG/CHN1/CHN2/GER/FRA/ITA/SPA/POL/RUS/POR/NED/TUR
General	
Operation Temperature	-10C~ +50C RH95% Max
Storage Temperature	-40C~ +60C RH95% Max
Level Of Protection	IP66
IR Distance	50 Meters (2 pcs IR-III LED's)
Power Source	DC 12V 1A
Colour	White
Bracket	Yes
Net Weight	0.56kg
Warranty	
1 year plus additional free 1 year when product registered	

V1.1 17.07.17 © Copyright NetVu Ltd

Design and specifications are subject to change without notice E&O.E



UK & EMEA: NetVu Limited. www.NetVu.org.uk
No 1. Thelow Heath Park, Northwich Road, Antrobus Cheshire, CW96JB

USA: Dedicated Micros Inc. www.dedicatedmicros.com
3855 Centerview Dr. – Suite 400 B, Chantilly, VA 20151 USA.

NetVu

DEDICATED MICROS